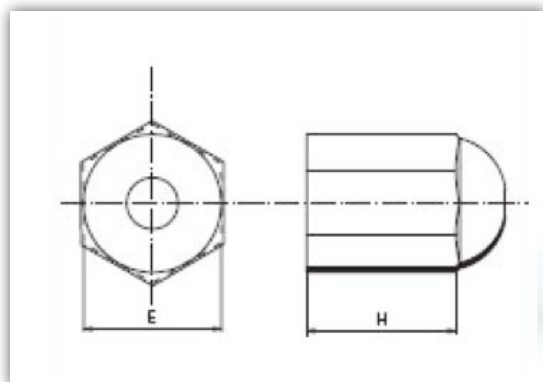


RACCORDI A PRESSARE



TAPPO IN PLASTICA A DADO ESAGONALE



Materiale: LDPE (polietilene)
Colore: Nero



CODICE	Dimensioni mm	
	E	H
FI00ES14L	14,0	28,0
FI00ES16L	16,0	28,0
FI00ES17L	17,0	28,0
FI00ES19L	19,0	28,0
FI00ES22L	22,0	28,0
FI00ES24L	24,0	28,0
FI00ES27L	25,0	28,0
FI00ES30L	27,0	28,0
FI00ES32L	30,0	30,0
FI00ES36L	32,0	30,0
FI00ES41L	36,0	30,0
FI00ES46L	41,0	31,0
FI00ES50L	46,0	30,0
FI00ES14L	50,0	30,0
FI00ES16L	55,0	41,0
FI00ES17L	60,0	41,0