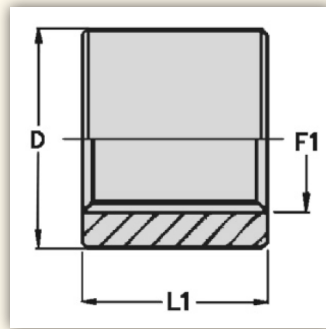


BORCHIA A SALDARE - GAS CILINDRICO



CODICE	Filettatura F1	Dimensioni mm	
		D	L1
EF000BS04	1/4"	22	16
EF000BS06	3/8"	25	17
EF000BS08	1/2"	30	18
EF000BS12	3/4"	38	20
EF000BS16	1"	45	26
EF000BS20	1.1/4"	45	26
EF000BS24	1.1/2"	62	30
EF000BS32	2"	70	30