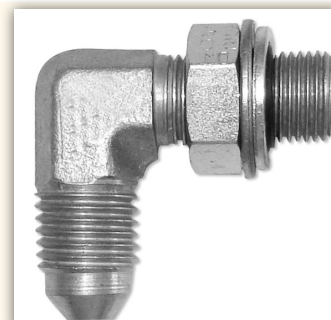
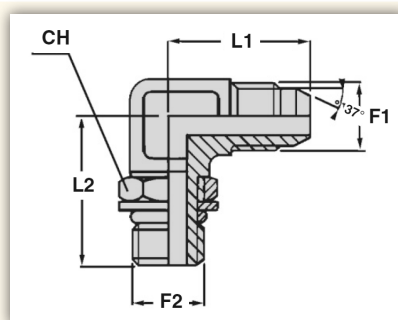


90° ORIENTABILE - MASCHIO JIC / MASCHIO GAS CILINDRICO



CODICE	Filettatura F1	Filettatura F2 *	Dimensioni mm		CH
			L1	L2	
EF898002N	7/16"-20	1/8"- OR	22,5	26	14
EF898004N	7/16"-20	1/4"- OR	27	31,5	19
EF898006N	7/16"-20	3/8"- OR	28,5	36,5	22
EF898102N	1/2"-20	1/8"- OR	24	27,5	14
EF898104N	1/2"-20	1/4"- OR	27	31,5	19
EF898106N	1/2"-20	3/8"- OR	28,5	36,5	22
EF898204N	9/16"-18	1/4"- OR	27	31,5	19
EF898206N	9/16"-18	3/8"- OR	28,5	36,5	22
EF898208N	9/16"-18	1/2"- OR	31	43	27
EF898404N	3/4"-16	1/4"- OR	31,5	33,5	19
EF898406N	3/4"-16	3/8"- OR	31,5	36,5	22
EF898408N	3/4"-16	1/2"- OR	34	43	27
EF898412N	3/4"-16	3/4"- OR	37	49	32
EF898506N	7/8"-14	3/8"- OR	36,5	39,5	22
EF898508N	7/8"-14	1/2"- OR	36,5	43	27
EF898512N	7/8"-14	3/4"- OR	39,5	49	32
EF898608N	1.1/16"-12	1/2"- OR	42	45,5	27
EF898612N	1.1/16"-12	3/4"- OR	42	49	32
EF898616N	1.1/16"-12	1"- OR	44,5	52	41
EF898812N	1.5/16"-12	3/4"- OR	46	52	32
EF898816N	1.5/16"-12	1"- OR	46	52	41
EF898820N	1.5/16"-12	1.1/4"- OR	51	57	50
EF899016N	1.5/8"-12	1"- OR	52	57	41
EF899020N	1.5/8"-12	1.1/4"- OR	52	57	50
EF899124N	1.7/8"-12	1.1/2"- OR	59	61	55

* Maschio gas cilindrico senza svasatura con o-ring e rondella